

LAUNDRY PURE 2.0



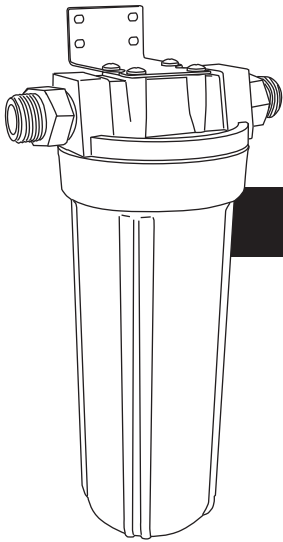
SEDIMENT PREFILTER INSTALLATION

PRODUCT OVERVIEW

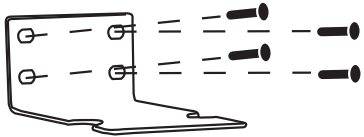
This prefilter is intended to remove dirt, sediment and other suspended pollutants in the source water supplying the LaundryPure 2.0. Use of this filter may not be necessary in all circumstances; however, the removal of sediment from the source water will improve efficiency and prolong the life of your LaundryPure 2.0.

The filter should be installed on the wall between the water supply faucet and the LaundryPure 2.0.

PLEASE NOTE: As with all water filtration systems, the filter life is directly related to the amount of water used and the concentration of impurities in the water. If you notice a change in the performance of your unit after using a filter for a period of time, this could indicate that a filter change is in order. Replacement filter, 49897, is available through your Independent Business Owner.

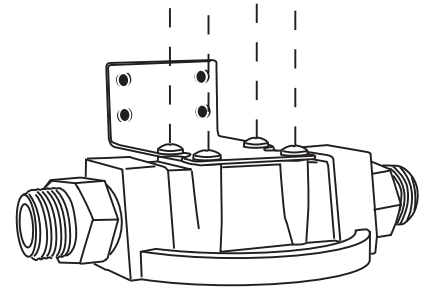


1. The filter should be installed on the wall between the water supply faucet and the LaundryPure 2.0. Place the LaundryPure 2.0 prefilter bracket in the appropriate location in relation to the LaundryPure 2.0 Unit. Secure bracket with screws and wall anchors if necessary.

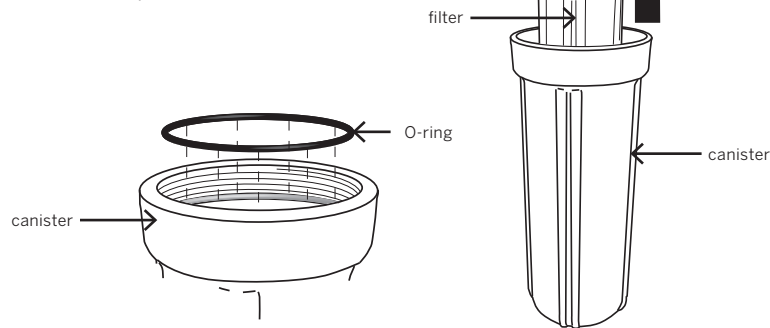


2. Remove the prefilter lid from the unit and attach to bracket with screws provided.

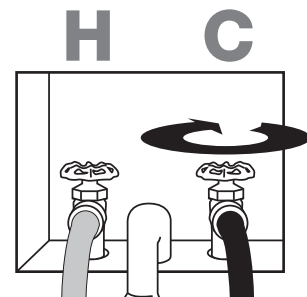
Note: The Lid may be mounted in either direction. It has an inlet and outlet. You may want to rotate the lid to best accommodate your hose positions for your particular installation.



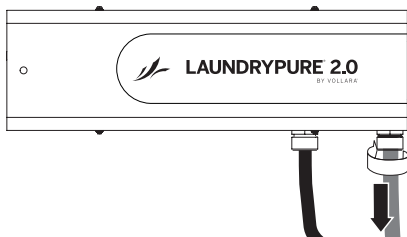
3. Remove protective film and place the filter into prefilter canister (make sure the O-ring is in its proper location) and tighten canister with wrench provided.



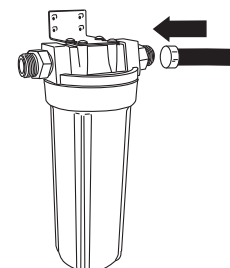
4. Turn off cold water supply connected to your LaundryPure 2.0 at faucet/valve.



5. Remove the inlet line from the LaundryPure 2.0 unit. Drain water from the supply hose into a bucket.



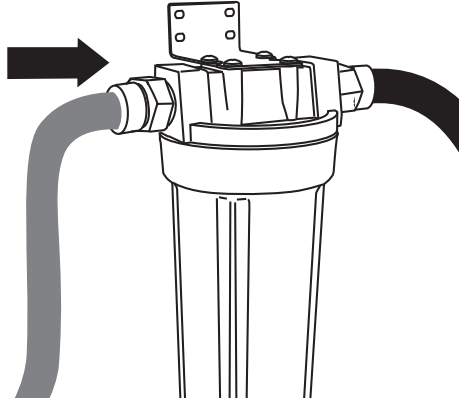
6. Attach the water supply line to LaundryPure 2.0 prefilter inlet. Marked "IN"



LAUNDRY PURE 2.0



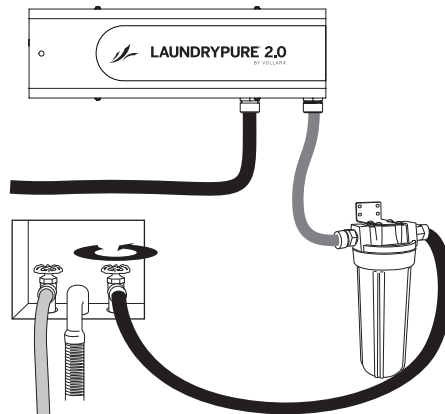
7. Attach the included water line to outlet side of the prefilter. Marked "OUT"



8. Attach the included water line to the water inlet on the LaundryPure 2.0 Unit.



9. Turn on valve and test system for leaks.



The LaundryPure 2.0 Prefilter System Limited Warranty

Date of Purchased _____

Limited One (1) Year Warranty

Vollara, LLC warrants to the original purchaser that each LaundryPure 2.0 Prefilter System will be free from defects in material and workmanship under normal usage for one (1) year from the date of original shipment of the unit. In the event that such defects become evident during the warranty period, Vollara will, at its option, replace or repair the product without charge to you. This warranty does not include transportation nor insurance charges for the product. All warranty work must be performed by Vollara, LLC or by an authorized service provider. This warranty will not cover repairs performed by anyone other than Vollara authorized service providers unless expressly otherwise agreed by Vollara, in writing.

Limited 30 Day Manufacturer Warranty on Filters

The LaundryPure 2.0 Prefilter filter which is included with your original purchase is considered a replacement item. These items have limited lives and the purchaser understands that they will require periodic replacement. Vollara, LLC warrants to the original purchaser that each filter will be free from defects in material and workmanship under normal usage for a period of 30 days from the date of original shipment. In the event that such defects become evident during the warranty period, Vollara will, at its option, replace or repair the item without charge.

Warranty Limitation

Installation of this unit on other than a potable water system or cold water supply lines will immediately and completely void the warranty. The warranty is also voided and provides no coverage where the damage results from improper installation, alterations, abuse, or misuse as determined by Vollara, LLC.

ALL WARRANTIES IMPLIED BY STATE LAW INCLUDING THE IMPLIED WARRANTIES OF MERCHANTABILITY AND FITNESS FOR A PARTICULAR PURPOSE ARE EXPRESSLY DISCLAIMED IN LIEU OF THE LIMITED WARRANTY SET FORTH ABOVE.

Some states do not allow limitations on how long an implied warranty lasts so the above limitation may not apply to you.

THE FOREGOING EXPRESS WARRANTY IS EXCLUSIVE AND IN LIEU OF ALL OTHER WARRANTIES, GUARANTEES, AGREEMENTS, AND SIMILAR OBLIGATIONS OF THE MANUFACTURER OR SELLER WITH RESPECT TO THE REPAIR OR REPLACEMENT OF ANY PRODUCT OR PARTS, WHETHER EXPRESSED OR IMPLIED.

IN NO EVENT SHALL THE MANUFACTURER OR SELLER BE LIABLE FOR CONSEQUENTIAL OR INCIDENTAL DAMAGES.

Some states do not allow the exclusion or limitation of incidental or consequential damages so the above limitation may not apply to you.

These warranties are given in lieu of any other warranties, expressed or implied. No person, agent, distributor, dealer, service station, or company is authorized to change, modify, or extend the terms of this warranty in any manner whatsoever.

How to Obtain Warranty Service

For warranty service, call 800.989.2299 and ask for warranty claims or write to the address provided below.

Parts returned to Vollara, LLC under this warranty must be shipped to the following address postpaid: **Vollara, LLC, 300 East Valley Drive, Bristol, VA 24201**