

# BEFORE YOU START

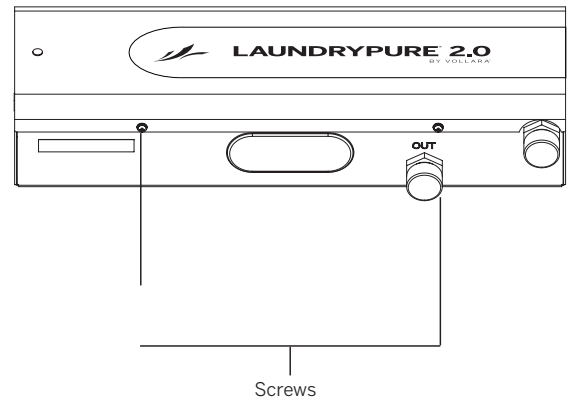


Your LaundryPure 2.0 unit was factory tested. It is normal for some residual water to still remain in the unit as a result of these tests.

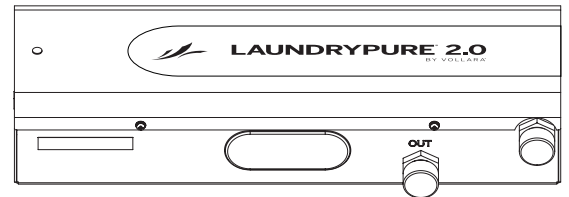
- Remove your new LaundryPure 2.0 from its packaging
- Inspect the unit for any signs of shipping damage

# REMOVING COVER

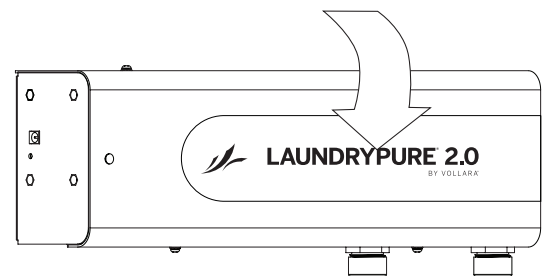
1. Remove the two (2) cover screws located on the bottom of the unit.



2. Remove the two (2) screws (not shown) along the top of the LaundryPure 2.0.



3. To remove the cover, pull the top away from the unit, then lift off the cover.



# INSTALLATION OF WALL ANCHORS OR SCREWS

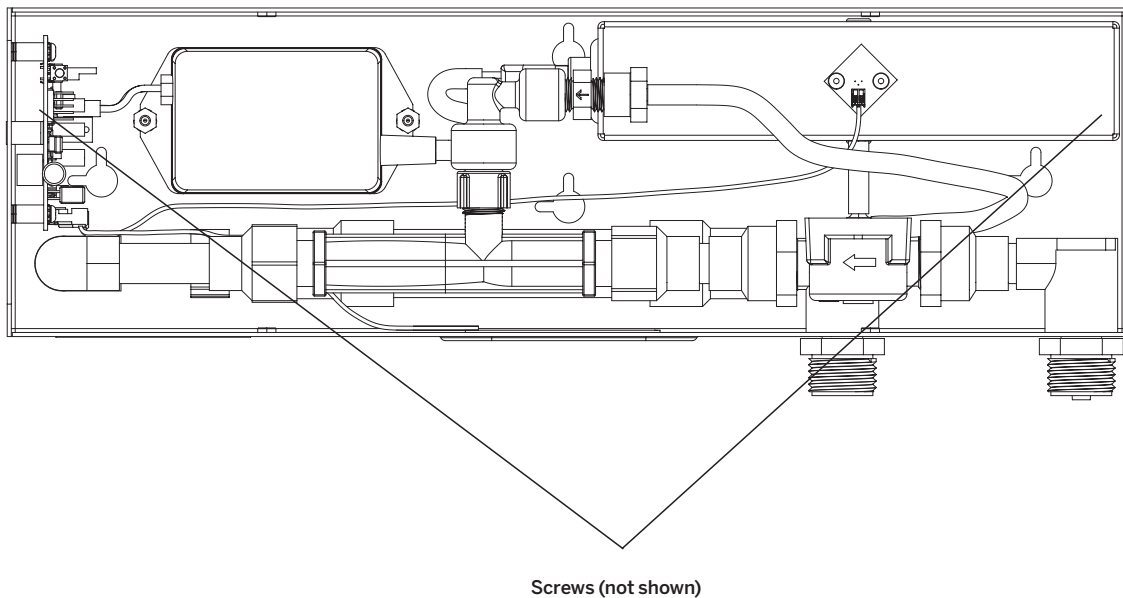
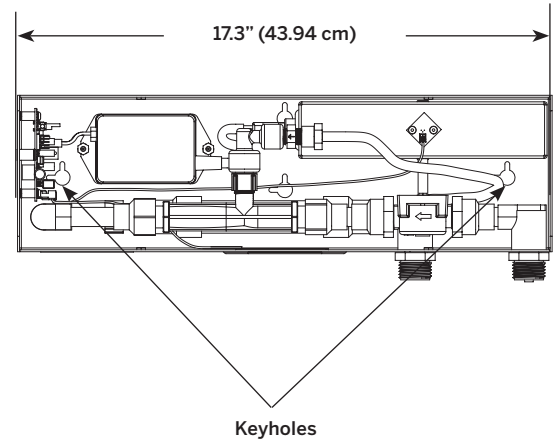
1. Place the LaundryPure 2.0 to the wall and mark the appropriate keyholes with a pencil.

**NOTE:** Washing machine and cold water faucet must be within 4 feet (1.21 m) of the right side of unit.

- A. If using supplied wall anchors, drill two 3/16" (4.76 mm) diameter holes. Place two wall anchors into the wall. Install two supplied screws and tighten until almost all the way in.
- B. If mounting to wall studs, drill two 3/32" (2.381 mm) diameter holes approximately 1" (25.4 mm) deep. Install two supplied screws and tighten until almost all the way in.

**NOTE:** The provided hardware kit contains adhesive backed rubber spacers to be placed on back of unit to provide additional clearance from wall if needed for hose installation or the use of ActiveClean Port. (Page 12)

2. Position the keyholes of the LaundryPure 2.0 onto the screws (not shown). Finish tightening screws enough to securely mount unit, but still allowing it to be removed from wall. Remove unit from wall.



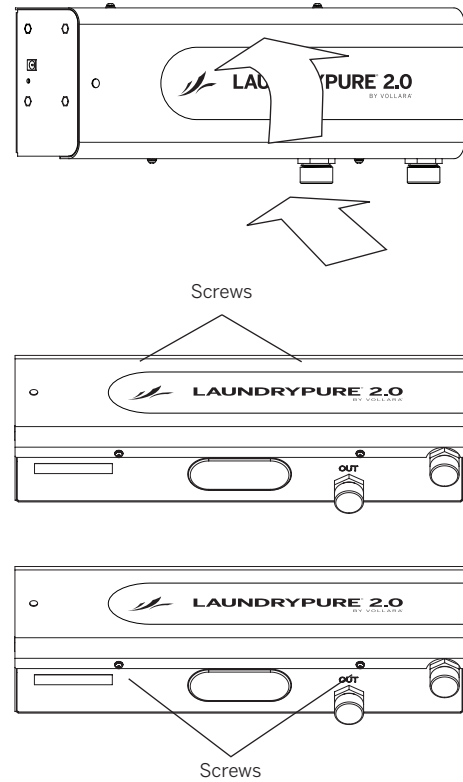
# REINSTALL THE COVER

1. Return the LaundryPure 2.0 cover to its original position, fitting the bottom in place and tipping upward.

2. Secure with two (2) screws (not shown) along the top edge.

3. Put the two (2) remaining screws along the bottom edge and tighten.

**NOTE:** Remove the two black caps from the hose connections before installing hoses.



# HOSE INSTALLATION

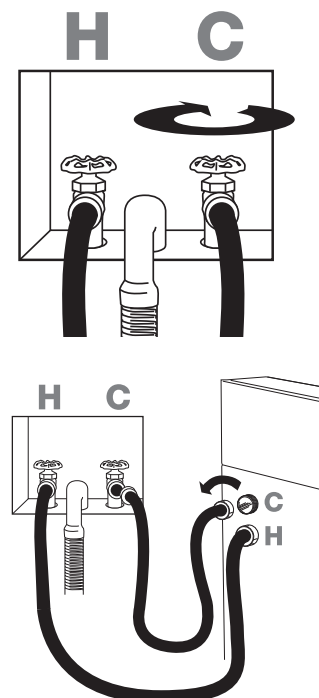


- When connecting hoses to your LaundryPure 2.0 start by hand tightening the hose connector(s); using adjustable pliers, finish tightening hose connector(s); **DO NOT** remove or disconnect the hot water line from your washing machine or water valve
- To ease hose installation and prevent cross threading, connect hose prior to mounting unit on wall

1. Turn the cold water off by shutting off the cold water faucet.

2. Remove the cold water hose from the cold water inlet on the back of your washing machine. Leave hot water hose attached.

**NOTE:** To help prevent water spray when disconnecting hoses, you can relieve pressure in the water line by momentarily starting your washing machine.



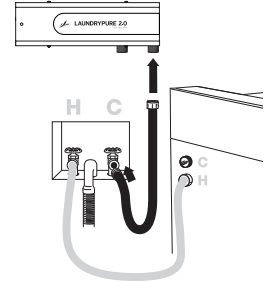
## HOSE INSTALLATION (CONTINUED)



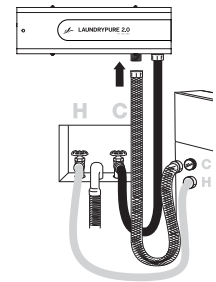
**CAUTION**

- If your existing hose is more than 3 years old, we recommend that you replace it with the optional stainless steel hose
- To ease hose installation and prevent cross threading, connect hoses prior to mounting unit on wall

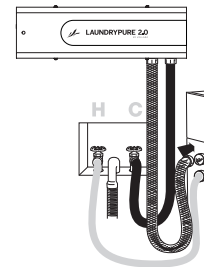
3. Connect the hose from the cold water inlet on your washing machine to the INLET connection on your LaundryPure 2.0.



4. Connect the new hose provided with your LaundryPure 2.0 to the water OUTLET connector on your LaundryPure 2.0 unit.



5. Finally, connect the new hose to the cold water inlet on your washing machine.



## CONNECTING POWER ADAPTER

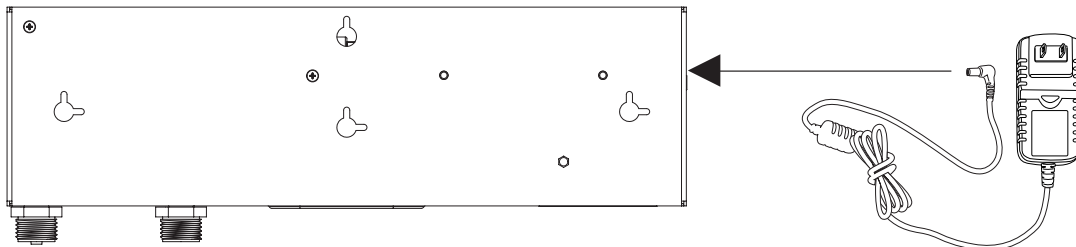


**WARNING**

**DO NOT** use any AC/DC adapter other than the one supplied with your LaundryPure 2.0 or Vollara replacement AC/DC adapter. Failure to follow these instructions may void your warranty and/or result in damage to your unit, fire, or electrical shock.

1. Insert the provided power cord into the POWER IN socket located on the side of the unit.

**NOTE:** Do not plug the adapter into the wall socket until installation is complete. See page 9.

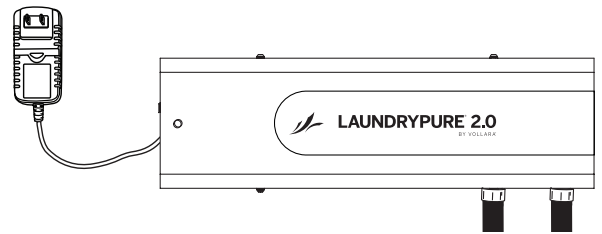


# SYSTEM SET UP

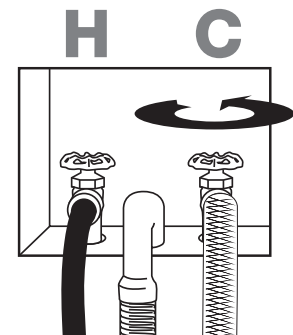


- Electrical Shock Hazard; when working with electrical connections, the appliance and surrounding area should be clean and dry of any standing water; failure to follow these instructions can result in death, fire, or electrical shock
- Electrical Shock Hazard; **DO NOT** use an extension cord; failure to follow these instructions can result in death, fire, or electrical shock

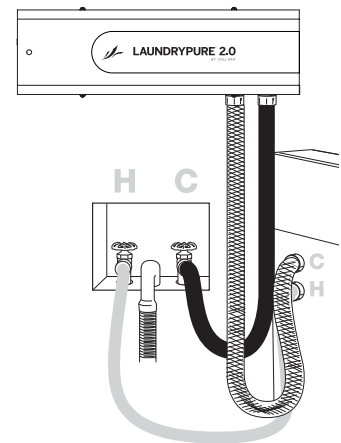
1. Plug power cord into the wall outlet of your home's electrical power system. See page 4 for electrical requirements.



2. Turn on the cold water valve.



3. Check all hoses to ensure no water is leaking. Tighten if necessary.



4. Start your washer. The status light should illuminate blue after a few seconds.

**NOTE:** Your LaundryPure 2.0 will automatically turn on and off as your washing machine starts, and stops.



Status Indicator Lights

# BEFORE WASHING CLOTHES

---



To avoid the possibility of water damage, should a hose leak, always have faucets accessible and turn off faucets when washer is not in use.

## BEFORE USING YOUR LAUNDRYPURE 2.0 FOR THE FIRST TIME

**IF YOUR WASHING MACHINE IS NEW**, skip this section and continue below.

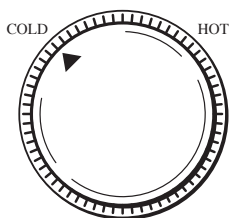
**IF YOUR WASHING MACHINE IS NOT NEW** you will need to perform this procedure to help remove any detergent buildup that may contaminate your clothing.

1. Do not put clothes in the washer at this time. Set your machine to its largest load setting, cold water only.
2. Start the washer and let it run through every cycle.
3. Once it has finished, repeat Steps 1 and 2 three more times. Depending on the age and severity of detergent buildup, it may be necessary to perform Step 3 several times.

**NOTE:** If you have a front loading washer, odors can develop due to stagnant water left inside. If musty odors develop it may be necessary to run a commercially available cleaner made especially for front loading washers to eliminate such odors.

## USING YOUR LAUNDRYPURE 2.0

---



### NORMAL OPERATION

Using your LaundryPure 2.0 is as simple as turning on the washing machine. LaundryPure 2.0 is designed to use the COLD/COLD setting of your washing machine.

### DETERGENT AND FABRIC SOFTENER

You may choose to continue to use detergent and/or fabric softeners if desired. However, to completely experience all the benefits of your new LaundryPure 2.0, we recommend washing using nothing but cold water. NEVER apply detergent directly to dry clothes. Allow washer to fill, then add detergent to prevent staining on clothes.

### HEAVY STAINS

For heavy stains, pre-treat area, apply pre-treater, rub gently and let stand for several minutes. Wash as normal.



# FOR WASHERS THAT REQUIRE HOT & COLD WATER INPUT

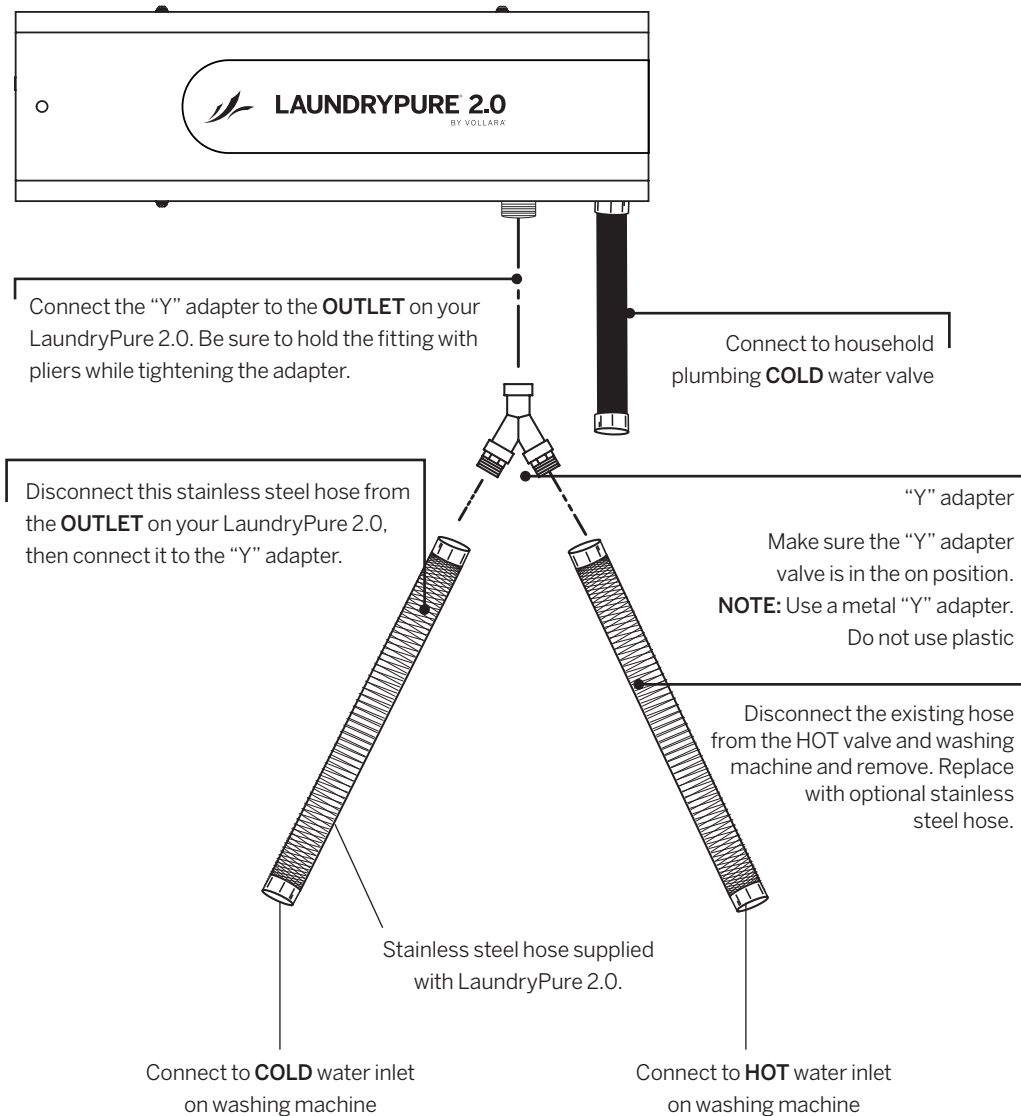


- Turn off both water valves (hot and cold) before disconnecting hoses; Failure to follow these instructions may result in water leakage and/or possible injury from hot water.
- When connecting hoses to your LaundryPure 2.0 hand start the hose connector(s); using adjustable pliers, finish tightening hose connector(s)

Some washing machine models require water pressure to both the Hot and Cold valves for proper operation. In some cases, if only the COLD water side is connected, the water valve will not operate or the washing machine will not fill to the proper level. To solve this problem, the installation of a "Y" adapter (available at most hardware stores) may be used. The use of the "Y" adapter allows water to flow equally through both the HOT and COLD water valves. Optional stainless steel hose must be installed on the hot water connection. To Install, turn water off at the valves and disconnect the existing HOT water hose (at the valve and washing machine). Connect the "Y" adapter to the outlet on your LaundryPure 2.0, then connect both the optional stainless steel hose and Cold hose from your washer to the "Y" adapter (see diagram below). Operate your washer on the WARM/WARM setting (your LaundryPure 2.0 will still be using just cold water).

**NOTE:** Your hot source water valve will not have a hose connected to it. Make sure it is fully turned off. It is recommended you secure a cap (available at most home improvement stores) to prevent leakage.

**NOTE:** The "Y" adapter needs to be purchased locally. Use only a metal adapter. **DO NOT** use plastic.



# TEMPERATURE CONTROLLING WATER VALVES

Some washers monitor the incoming cold water temperature and adjust too cold of water by adding hot water, even if the water temperature is set to cold. If you have one of these washers, do not install with the “Y” adapter as it may cause the washer to not operate correctly. Consult your washing machine owner’s manual if needed.

## EXTERNAL WATER TAP (AVAILABLE SEPARATELY)

An optional LaundryPure 2.0 water tap allows you to run water with hydrogen and oxygen based oxidizers for cleaning surfaces, without the cost or chemical irritants found in most traditional cleaning products.

## STATUS INDICATIONS



**WARNING**

- **Electrical Shock Hazard; disconnect power before attempting installation or service**
- **Electrical Shock Hazard; when working with electrical connections, the appliance and surrounding area should be clean and dry of any standing water; failure to follow these instructions can result in death, fire, or electrical shock**
- **Do not operate LaundryPure 2.0 with the front cover removed or improperly installed; failure to follow these instructions can result in severe eye damage, death, or electrical shock**

The LaundryPure 2.0 monitors its operations with a blue LED indicator:

- **Unit on** = LED on steadily. (“unit on” means whenever water is flowing through the unit).
- **ActivePure Cell Assembly replacement upcoming** (@ approx. 7500 hours) = periodic brief LED flash (visual chirp) when unit is off, but goes to steady on when water is flowing through the unit.
- **ActivePure Cell Assembly replacement required** (@ approx. 9000 hours) = periodic brief LED flash (visual chirp) whether unit is off or on. UV bulb will **NOT** be turned on again until cell is replaced.
- **UV bulb failure** = periodic brief LED flash (visual chirp) – same as ActivePure Cell Assembly replacement required above.
- **ActivePure Cell Assembly replacement:** When replacing the ActivePure Cell Assembly, there is a switch on the main circuit board which must be pressed. When this happens, the LED will blink 3 times (longer than the brief “chirp” flashes above) and then shut off. This indicates that the ActivePure Cell Assembly timer has been reset to 0. Pressing the button at any time before the 7500 hour mark **\*or\*** before a bulb failure has been detected will **NOT** reset the timer.
- **Leak Alarm:** LED will flash in conjunction with alarm beeping. If this occurs, please contact Customer Service at 800.989.2299 for assistance.

